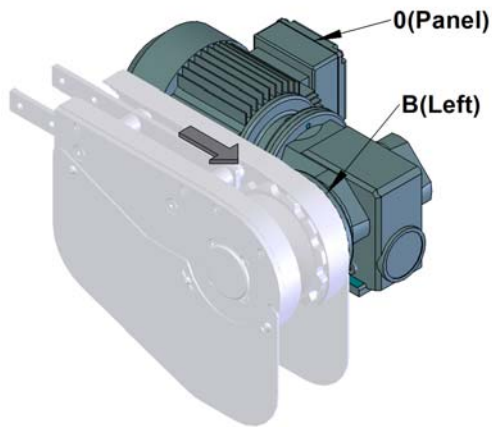


Direct Drive Motor Selection

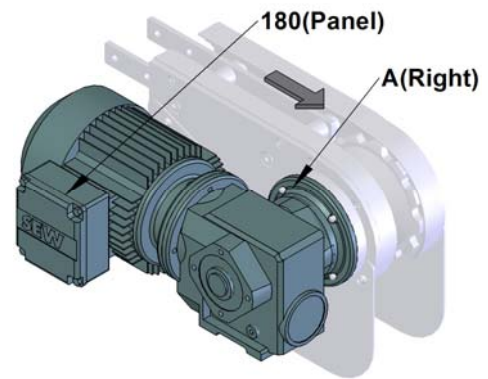
Direct Drive Left



SEW Sample Order:

**SAF[SEW Part No], i=[Gear Ratio]-M1B-Flange=120mm-
Shaft=20mm-TBox=0-Cable=X**

Direct Drive Right



SEW Sample Order:

**SAF[SEW Part No], i=[Gear Ratio]-M1A-Flange=120mm-
Shaft=20mm-TBox=180-Cable=X**

Speed, m/min	* Gear Ratio, i	Speed, rpm	Torque, Nm	Power, W	* SEW Part No. Drive Diameter = 171mm	Estimated Traction Force, N	Series
5	106	13	52	120	SAF37DR63S4	600	FK , FS
10	63.33	21	52	180	SAF37DR63M4	600	FK , FS
15	43.68	30	44	180	SAF37DR63M4	508	FK , FS
20	30.68	42	45	250	SAF37DR63L4	520	FK , FS
25	28.76	48	59	370	SAF37DT71D4	680	FK , FS
30	22.5	61	47	370	SAF37DT71D4	542	FK , FS
40	18.24	76	41	370	SAF37DT71D4	473	FK , FS
50	13.39	102	46	550	SAF37DT80K4	530	FK , FS
60	10.91	127	50	750	SAF37DT80N4	577	FK , FS

* Maximum Traction Force = **500N** for FK & FS (Always set limit value of driving current or torque limiter)

Speed, m/min	* Gear Ratio, i	Speed, rpm	Torque, Nm	Power, W	*SEW Part No. Drive Diameter = 171mm	Estimated Traction Force, F	Series
5	122.94	11	93	180	SAF37DR63M4	1073	FM,FC,FL
10	63.33	22	103	370	SAF37DT71D4	1188	FM,FC,FL
15	43.68	32	87	370	SAF37DT71D4	1004	FM,FC,FL
20	30.68	44	94	550	SAF37DT80K4	1085	FM,FC,FL
35	19.13	72	81	750	SAF37DT80N4	935	FM,FC,FL

* Maximum Traction Force = **1000N** for FM, FC & FL (Always set limit value of driving current or torque limiter)

FlexMove standard drive shaft is 20mm & Flange 120mm mounting.
Kindly inform any non-standard flange and drive shaft diameter upon order.

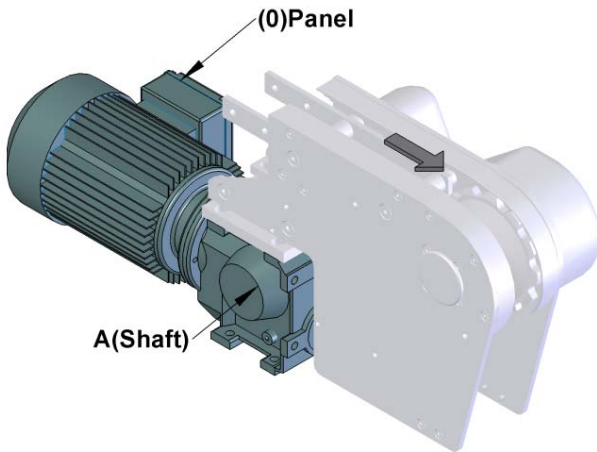
Motor Selection

FlexMove reserves the right to make alteration without prior notification Every care has been taken to ensure the accuracy of the information contained in this catalogue but no liability can be accepted for any error or omissions.

SEW Gear motors are products of SEW Eurodrive.

Suspended Drive Motor Selection

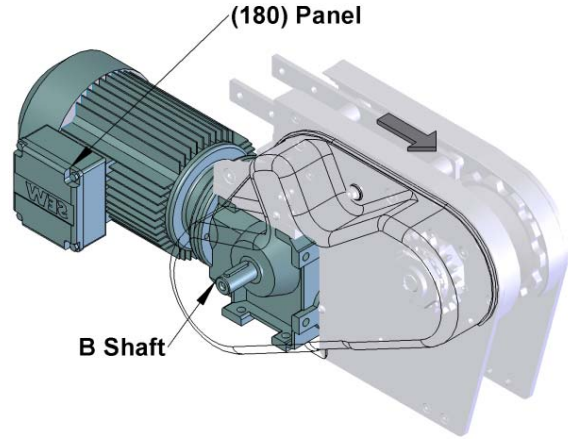
Suspended Drive Left



SEW Sample Order:

S[SEW Part No], i=[Gear Ratio]-M1A-Shaft=20mm-TBox=0-Cable=X

Suspended Drive Right



SEW Sample Order:

S[SEW Part No], i=[Gear Ratio]-M1B-Shaft=20mm-TBox=180-Cable=X

Speed, m/min	* Gear Ratio, i	Speed, rpm	Torque, Nm	Power, W	*SEW Part No. Drive Diameter = 171mm	Estimated Traction Force, N	Series
5	106	13	52	120	S37DR63S4	600	FK , FS
10	63.33	21	52	180	S37DR63M4	600	FK , FS
15	43.68	30	44	180	S37DR63M4	508	FK , FS
20	30.68	42	45	250	S37DR63L4	520	FK , FS
25	28.76	48	59	370	S37DT71D4	680	FK , FS
30	22.5	61	47	370	S37DT71D4	542	FK , FS
40	18.24	76	41	370	S37DT71D4	473	FK , FS
50	13.39	102	46	550	S37DT80K4	530	FK , FS
60	10.91	127	50	750	S37DT80N4	577	FK , FS

* Maximum Traction Force = **500N** for FK & FS (Always set limit value of driving current or torque limiter)

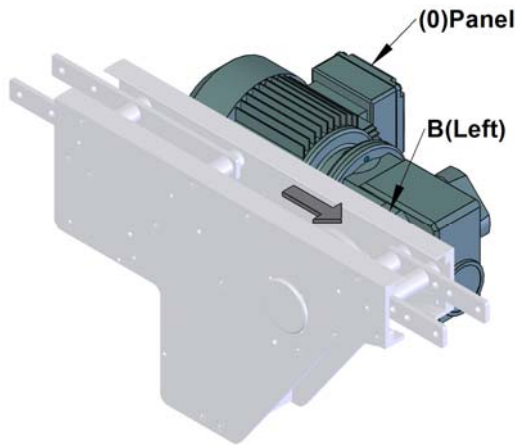
Speed, m/min	* Gear Ratio, i	Speed, rpm	Torque, Nm	Power, W	*SEW Part No. Drive Diameter = 171mm	Estimated Traction Force, F	Series
5	122.94	11	93	180	S37DR63M4	1073	FM,FC,FL
10	63.33	22	103	370	S37DT71D4	1188	FM,FC,FL
15	43.68	32	87	370	S37DT71D4	1004	FM,FC,FL
20	30.68	44	94	550	S37DT80K4	1085	FM,FC,FL
35	19.13	72	81	750	S37DT80N4	935	FM,FC,FL

* Maximum Traction Force = **1000N** for FM, FC & FL (Always set limit value of driving current or torque limiter)

FlexMove standard drive shaft and pulley diameter are 20mm. Kindly inform any non-standard diameter upon order.

Intermediate Direct Drive Motor Selection

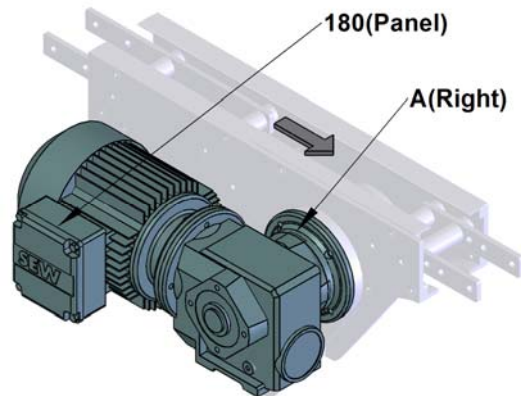
Intermediate Direct Drive Left



SEW Sample Order:

**SAF [SEW Part No], i=[Gear Ratio]-M1B-Flange=120mm-
Shaft=20mm-TBox=0-Cable=X**

Intermediate Direct Drive Right



SEW Sample Order:

**SAF [SEW Part No], i=[Gear Ratio]-M1A-Flange=120mm-
Shaft=20mm-TBox=180-Cable=X**

Speed, m/min	* Gear Ratio, i	Speed, rpm	Torque, Nm	Power, W	* SEW Part No. Drive Diameter = 101mm	Estimated Traction Force, N	Series
5	71.44	19	37	120	SAF37DR63S4	732	FK , FS
10	43.68	32	28	120	SAF37DR63S4	554	FK , FS
15	28.76	46	30	180	SAF37DR63M4	594	FK , FS
20	19.89	65	32	250	SAF37DR63L4	633	FK , FS
25	15.53	84	25	250	SAF37DT63L4	495	FK , FS
30	13.39	103	30	370	SAF37DT71D4	594	FK , FS
40	10.91	127	25	370	SAF37DT71D4	495	FK , FS
50	9.02	151	31	550	SAF37DT80K4	613	FK , FS
60	6.8	203	32	750	SAF37DT80N4	633	FK , FS

*** Maximum Traction Force = 500N for FK & FS (Always set limit value of driving current or torque limiter)**

Speed, m/min	* Gear Ratio, i	Speed, rpm	Torque, Nm	Power, W	* SEW Part No. Drive Diameter = 138mm	Estimated Traction Force, N	Series
5	98.8	13	77	180	SAF37DR63M4	1115	FM,FC,FL
10	51.3	25	72	250	SAF37DR63L4	1043	FM,FC,FL
15	37.66	37	76	370	SAF37DT71D4	1101	FM,FC,FL
20	28.76	47	89	550	SAF37DT80K4	1289	FM,FC,FL
25	22.5	60	70	550	SAF37DT80K4	1014	FM,FC,FL
30	19.13	72	81	750	SAF37DT80N4	1173	FM,FC,FL

*** Maximum Traction Force = 1000N for FM, FC & FL (Always set limit value of driving current or torque limiter)**

FlexMove standard drive shaft is 20mm & Flange 120mm mounting.
Kindly inform any non-standard flange and drive shaft diameter upon order.

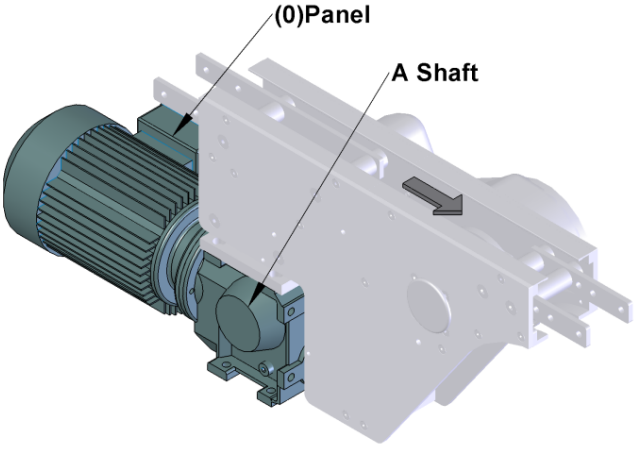
Motor Selection

FlexMove reserves the right to make alteration without prior notification Every care has been taken to ensure the accuracy of the information contained in this catalogue but no liability can be accepted for any error or omissions.

SEW Gear motors are products of SEW Eurodrive.

Intermediate Suspended Drive Motor Selection

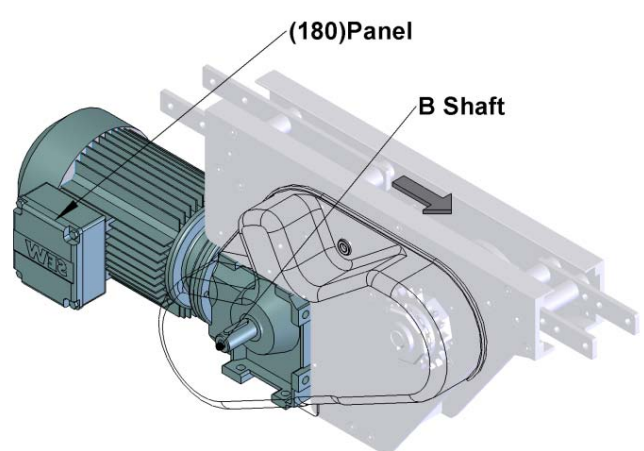
Intermediate Suspended Drive Left



(0)Panel
A Shaft

SEW Sample Order:
S[SEW Part No], i=[Gear Ratio]-M1A-Shaft=20mm-TBox=0-Cable=X

Intermediate Suspended Drive Right



(180)Panel
B Shaft

SEW Sample Order:
S[SEW Part No], i=[Gear Ratio]-M1B-Shaft=20mm-TBox=180-Cable=X

Speed, m/min	* Gear Ratio, i	Speed, rpm	Torque, Nm	Power, W	* SEW Part No. Drive Diameter = 101mm	Estimated Traction Force, N	Series
5	71.44	19	37	120	S37DR63S4	732	FK , FS
10	43.68	32	28	120	S37DR63S4	554	FK , FS
15	28.76	46	30	180	S37DR63M4	594	FK , FS
20	19.89	65	32	250	S37DR63L4	633	FK , FS
25	15.53	84	25	250	S37DT63L4	495	FK , FS
30	13.39	103	30	370	S37DT71D4	594	FK , FS
40	10.91	127	25	370	S37DT71D4	495	FK , FS
50	9.02	151	31	550	S37DT80K4	613	FK , FS
60	6.8	203	32	750	S37DT80N4	633	FK , FS

* Maximum Traction Force = 500N for FK & FS (Always set limit value of driving current or torque limiter)

Speed, m/min	* Gear Ratio, i	Speed, rpm	Torque, Nm	Power, W	* SEW Part No. Drive Diameter = 138mm	Estimated Traction Force, N	Series
5	98.8	13	77	180	S37DR63M4	1115	FM,FC,FL
10	51.3	25	72	250	S37DR63L4	1043	FM,FC,FL
15	37.66	37	76	370	S37DT71D4	1101	FM,FC,FL
20	28.76	47	89	550	S37DT80K4	1289	FM,FC,FL
25	22.5	60	70	550	S37DT80K4	1014	FM,FC,FL
30	19.13	72	81	750	S37DT80N4	1173	FM,FC,FL

* Maximum Traction Force = 1000N for FM, FC & FL (Always set limit value of driving current or torque limiter)

FlexMove standard drive shaft and pulley diameter are 20mm.
Kindly inform any non-standard diameter upon order.

Motor Selection

FlexMove reserves the right to make alteration without prior notification Every care has been taken to ensure the accuracy of the information contained in this catalogue but no liability can be accepted for any error or omissions.

SEW Gear motors are products of SEW Eurodrive.